



**BRIDGES**  
BRINGING TOGETHER RESEARCH AND INDUSTRY FOR  
THE DEVELOPMENT OF GLIDER ENVIRONMENTAL SERVICES

UNIVERSITY OF  
**Southampton**

# Design of next generation underwater gliders for oceanographic research and environmental services

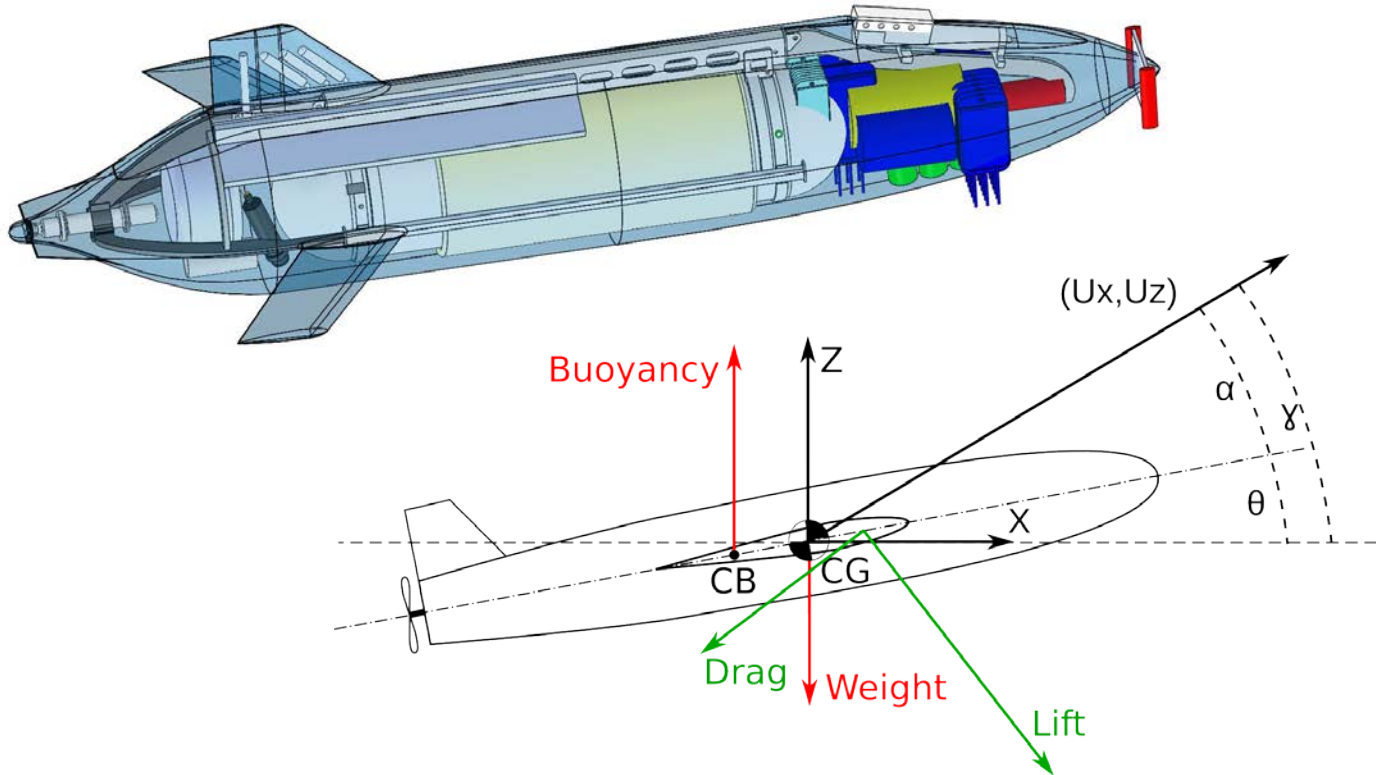
Artur K. Lidtke\*, Stephen R. Turnock, Jon Downes

\*E-mail: [akl1g09@soton.ac.uk](mailto:akl1g09@soton.ac.uk)



This project has received funding from the *European Union's Horizon 2020 research and innovation programme* under grant agreement No 635359

# Underwater gliders are long-endurance autonomous underwater vehicles (AUVs)



# Thank you, any questions?



Artur K. Lidtke  
University of Southampton  
akl1g09@soton.ac.uk

